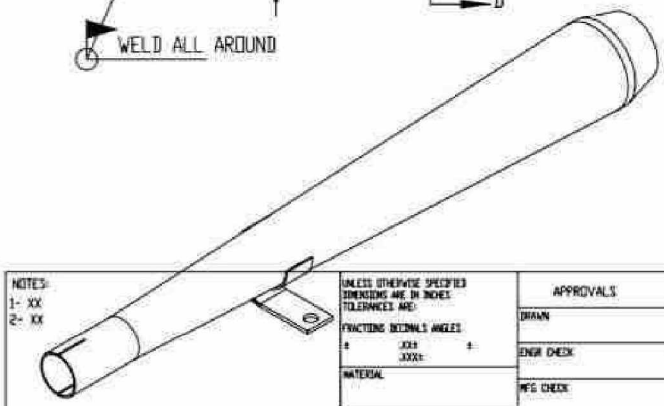
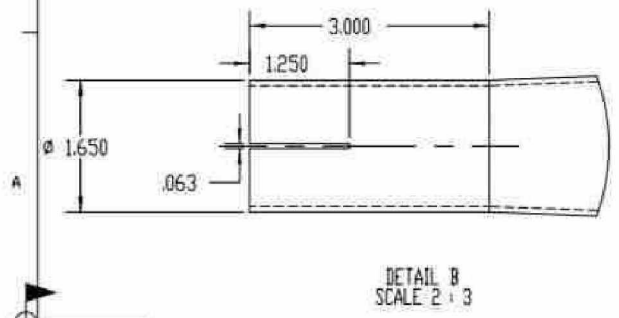
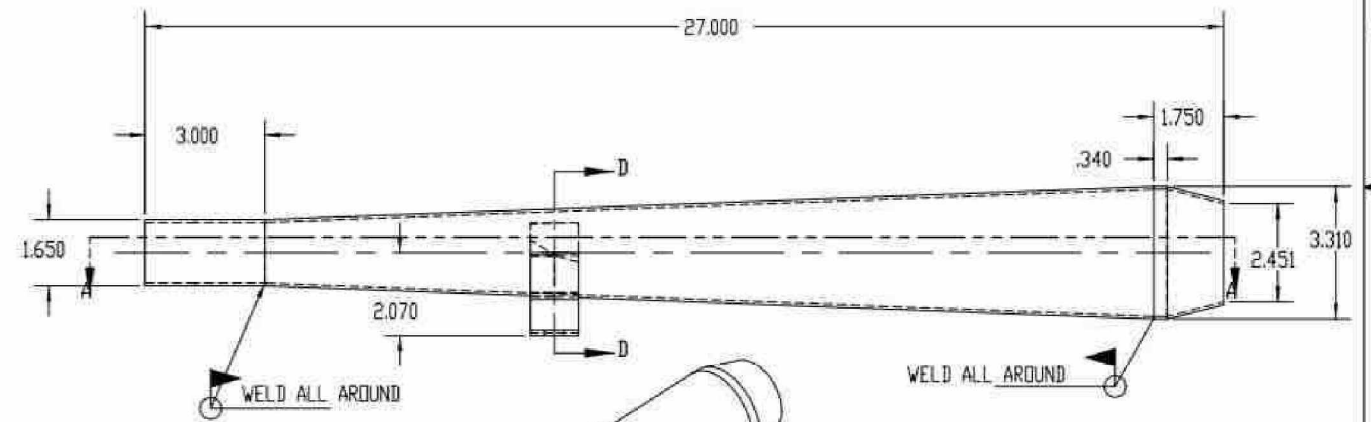
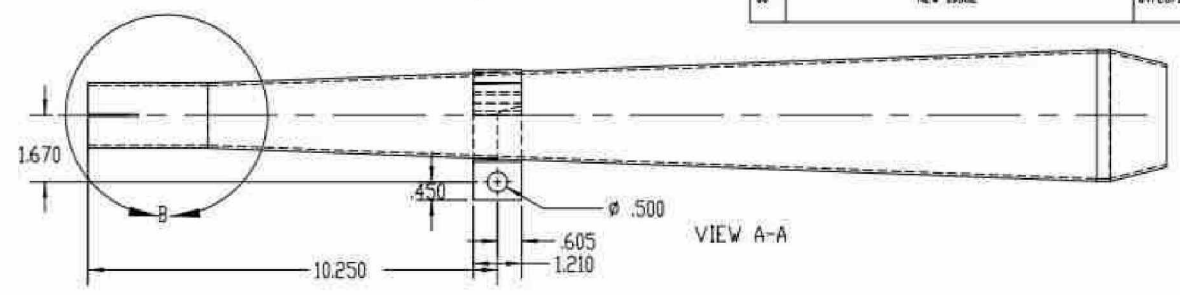
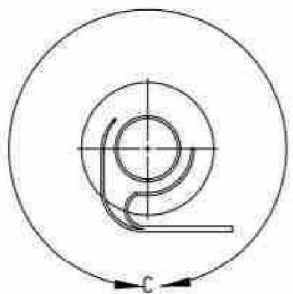
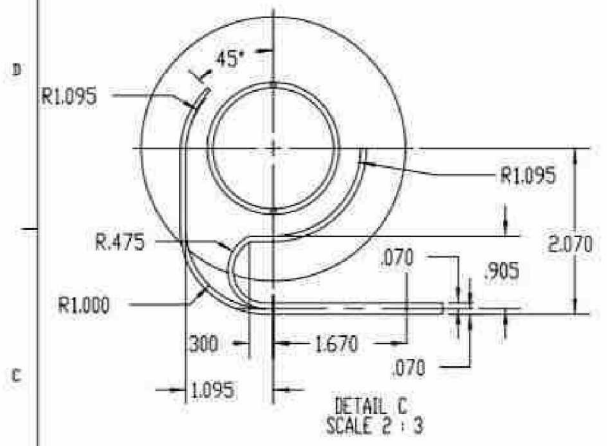


8 7 6 5 4 3 2 1

PROTOTYPE	<input checked="" type="checkbox"/>	PRODUCTION	<input type="checkbox"/>	REVISIONS		REV.	DESCRIPTION	DATE	APPROVED
				00	NEW ISSUE			04/28/11	

BRACKETS DETAILS  
SEE DATUM PLANE "D-D"



NOTES:  
1- XX  
2- XX

UNLESS OTHERWISE SPECIFIED  
DIMENSIONS ARE IN INCHES  
TOLERANCES ARE:  
FRACTIONS DECIMALS ANGLES  
± .005 ± .002 ± .005  
MATERIAL  
FINISH

APPROVALS	DATE
DRAWN	
ENGR CHECK	
MFG CHECK	
ISSUED	

PROPRIETARY AND CONFIDENTIAL			
WWW.MOTOSCRUBS.COM			
MEGAPHONE SPECIFICATIONS			
SIZE B	REV -	ENGR. NO. MEGA-1-301	REV. 00
SCALE: 1:1	ENGR. PROJECT #	-	SHEET 1 OF 1

8 7 6 5 4 3 2 1

